



MAKERS OF STAND AID AND ROLL AID

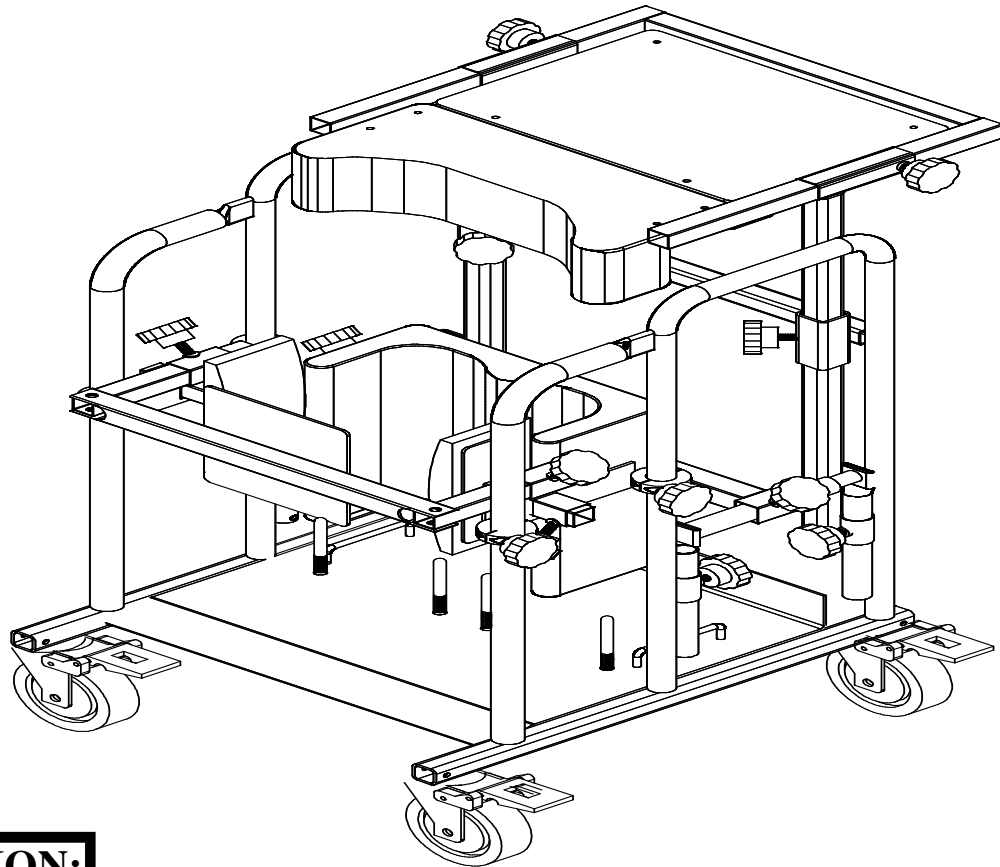
STAND AID
STAND-AID JR.

PO BOX 386
Sheldon, IA 51201
1-800-831-8580
1-712-324-2153 (In Iowa)
Fax: 712-324-5210

**INSTRUCTIONS AND WARRANTY FOR THE
STAND-AID JR. MODEL #1044
STAND AID SERIAL # _____**

STAND AID INFORMATION
OPERATING INSTRUCTIONS
REPLACEMENT PARTS

READ complete manual
CAREFULLY BEFORE
attempting operation.



CAUTION:

All Stand Aid models should be used only on level, smooth surfaces. Please exercise caution and good judgement when operating your unit.

INTRODUCTION

Thank you and congratulations on your purchase of the Stand-Aid Jr.. We are certain the benefits you receive from your standing with our Stand-Aid Jr. will enhance your health and outlook on life.

GENERAL INFORMATION

After unpacking your Stand-Aid Jr., place any parts that are not attached to the Stand-Aid Jr. on the floor, using the parts list, get familiar with the unit and parts. On the Stand-Aid Jr. you will need no tools to adjust the unit for your standing pleasure.

Parts included in the Stand-Aid Jr. are, 1– Safety Belt, 1– 2” Safety Gate pad, 2– Heel Strap, and 1– Toe Strap.

The adjustments that will need to be made are to the Hip Pads and the Knee Pad. Both of these can be adjusted to the needed height by using the adjustment knobs and brought up or down to the desired height. This unit also has caster wheels that can be locked into place.

All Stand-Aid models should be used only on level, smooth surfaces. Please exercise caution and good judgment when operating your unit.

QUICK OVERVIEW OF STANDING INSTRUCTIONS

1. Adjust the frame to the desired height, making sure all knobs are tight
2. Make sure table is adjusted high enough.
3. Open the safety gate, place your feet onto the floor of the Stand-Aid Jr. using the Heel and Toe Straps.
4. After you are in the up position, close the Safety Gate in the locked position.
5. **Stand-Aid recommends that you have someone there to help when you are standing for the first time.**

ATTENTION:

WHEN CALLING FOR SERVICE, PLEASE HAVE THE SERIAL NUMBER OF YOUR UNIT READY FOR THE STAND-AID REPRESENTATIVE, THIS WILL HELP IN THE SERVICING OF YOUR STAND-AID PRODUCT.

STAND-AID Jr. MODEL # 1044
STANDARD FRAME

TABLE OF CONTENTS

Cover.....Page #1

Introduction and General Information.....Page #2

Table Of Contents.....Page #3

Limited Warranty Information.....Page #4

Getting to know your Stand-Aid Jr.....Page #5

Safety Precautions.....Page #6

Parts Breakdown.....Page #7

Parts List.....Page #8

Optional Parts.....Page #9

Operating Instructions.....Page #10

Operation Instructions.....Page #11

Stand-Aid Parts Ordering Policy.....Page #12

LIMITED WARRANTY

Each Stand Aid of Iowa, Inc. product has been carefully inspected and tested before shipment. Accordingly, we warrant each STAND AID which is sold against defects in workmanship and material under normal use for life, excluding the motor, drive train and electrical components which are warranted for one year and the batteries which are warranted for 90 days. This warranty shall not extend to and we shall have no responsibility with respect to products which have been abused, misused, altered or as to which repair has been made or attempted by others.

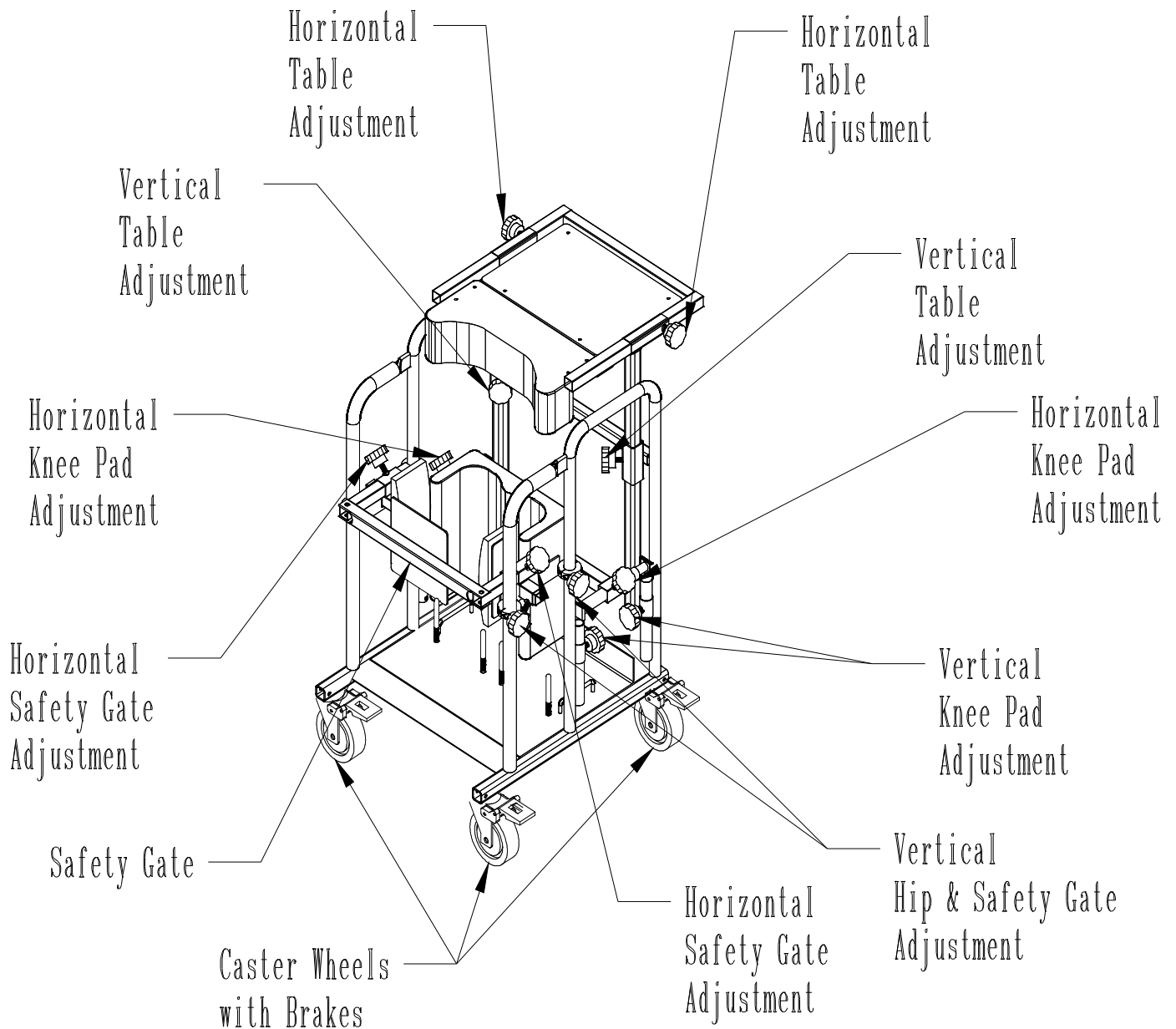
This warranty is made in lieu of all other warranties with respect to the product covered hereby and there are no other warranties, whether expressed or implied, of merchantability or otherwise, except the warranty expressly stated herein. The remedy set forth herein shall be the sole exclusive remedy of any purchaser with respect to any defective product. Under no circumstances shall STAND AID of IOWA be liable for any injury, loss, damage or expense suffered or incurred with respect to any misuse of STAND AID of IOWA'S products.

If you have any questions or need further information, please feel free to call our offices at: 1-800-831-8580.

ATTENTION: IMPORTANT!

We ask that you take time to acquaint yourself with your Stand Aid Jr., it's adjustments and controls. We highly recommend that someone assist you as you familiarize yourself with the unit.

Again, we remind you to use your Stand Aid only on level, smooth surfaces.



SAFETY PRECAUTIONS

READ THIS BEFORE OPERATING YOUR UNIT!!!!

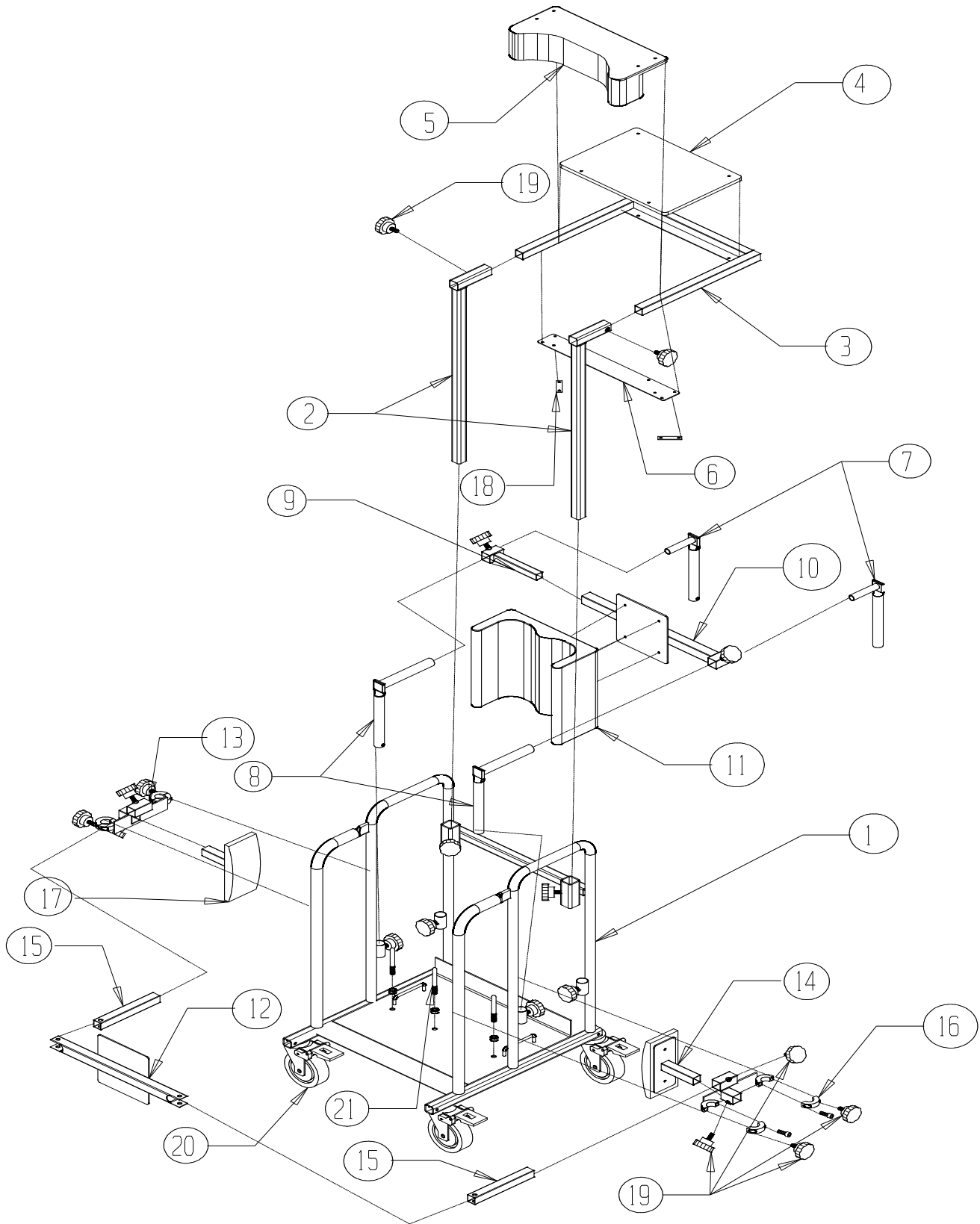
1. If at all possible have an attendant help you with the first several stands, to help with adjustments of the unit for your comfort and safety.
 2. Always use on a level and smooth surface.
 3. Never operate the unit if it appears damaged.
 4. Never operate the unit if it is not operating correctly, consult our service department.
 5. Keep all body parts away from moving parts on the unit at all times.
 6. Make sure all Adjustment Knobs are tightened securely
 7. Always lock Caster Wheels when a child is in the Standing Frame.
 8. Never push the child while in the Standing Position.
 9. Always try to keep the unit in proper working condition.
-

STAND AID ADDITIONAL OPTIONS

- Safety gate back support for those requiring more back support.
- Upper Chest Pad Support for those requiring more upper chest support.
- To accommodate larger wheelchairs, we offer caster brackets.

For any other special options or modifications, please feel free to call and ask for the engineering department at **1-800-831-8580**.

EXPLODED VIEW



PARTS LIST

REF#	PART#	QTY.	DESCRIPTION
1	2000	1	Main Frame
2	1008	2	Table slide legs
3	1013	1	Table Frame
4	2001	1	Plexi-Glass Table
5	2002	1	Chest Pad
6	1011	1	Chest Pad Support
7	1024	2	Small Knee Pad Slide
8	1025	2	Large Knee Pad Slide
9	1020	1	Short Knee Slide Brkt.
10	1018	1	Knee Pad Bracket
11	2003	1	Knee Pad
12	1028	1	Safety Gate
13	1038	2	Adjustable Hip/Safety Gate
14	1031	2	Hip Pad Mount
15	1026	2	Safety Gate Cross member
16	- - -	4	Split Clamps
17	2004	2	Hip Pads
18	2005	2	Chest Pad Clips
19	25003000	16	Adjustment Knobs
20	2006	4	Locking Caster Wheels
21	2007	4	Floor Bolts

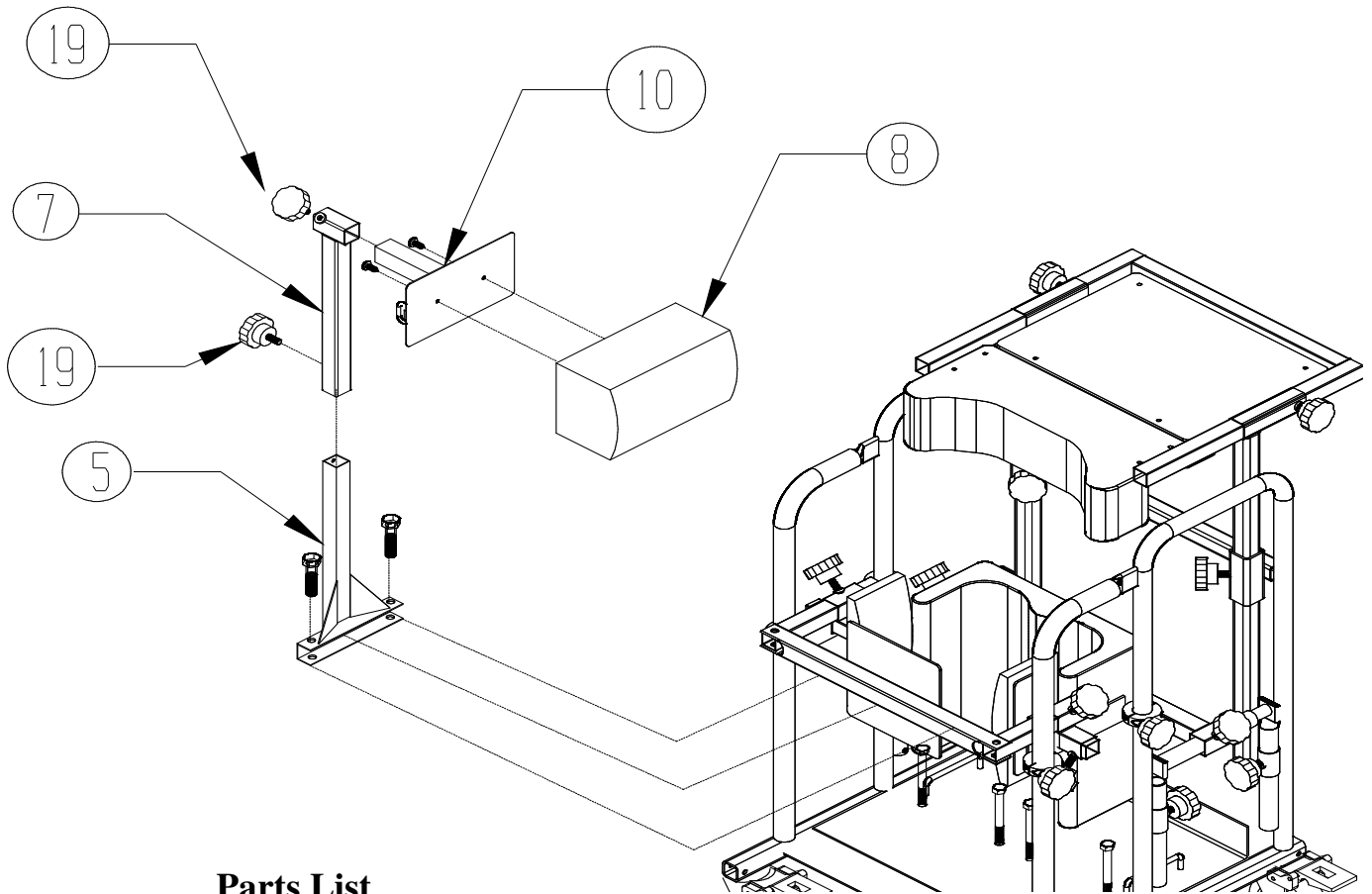
CARE AND MAINTAINANCE

Proper care and maintenance of your Stand-Aid Jr. will insure a long life and trouble free service. Make sure all knobs are tight, all bolts are tight and that the Stand-Aid Jr. is not binding in any way after adjustments have been made.

(optional) SAFETY GATE With BACK SUPPORT

The “SAFETY GATE” easily attaches to the frame of the Stand Aid to give you added support. A two-inch pad will accompany the Safety Gate. The pad is placed on the Safety Gate for comfort and security.

The “SAFETY GATE BACK SUPPORT” can also be added for those requiring more back support. This attachment easily bolts onto the Safety Gate.



Parts List

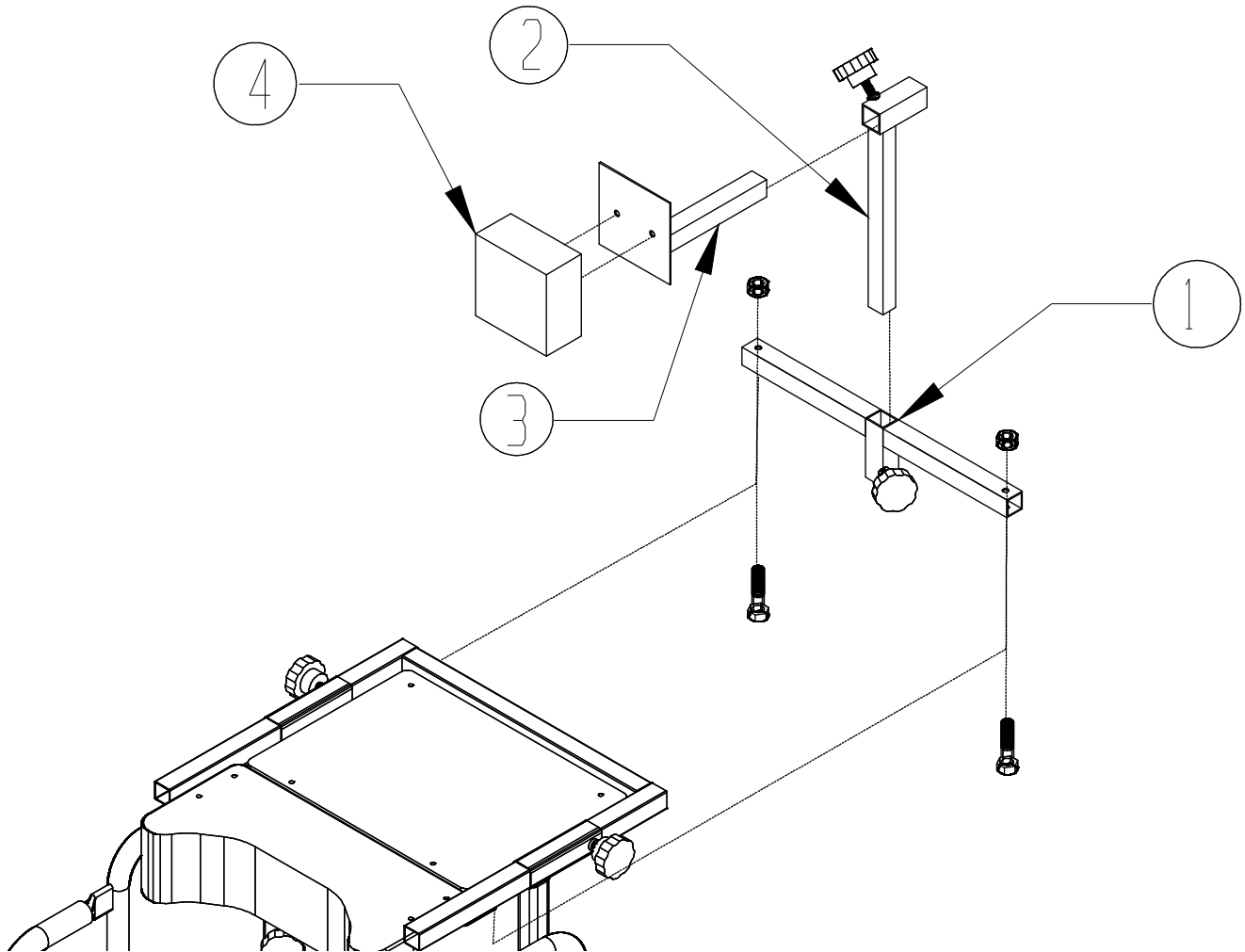
REF. #	PART #	QTY.	DESCRIPTION
5.	82002036	1	Back Support Mount
7.	82262022	1	Back Pad Mount/Adjust
8.	26003010	1	Back Support Pad
9.	25003000	2	Adjustment Knob
10.	82252034	1	Top Pad Mount

Assembly Instructions

1. Mount the back support mount (#5) to the safety gate using the 1/4" x 1-1/2" bolts.
2. Assemble the back pad (#8) to the back pad mount (#10) with 10-24 x 1/2" bolt. Slide this assembly into the back pad adjust (#7), and then over the back support mount (#5), secure at the desired position with the adjusting knobs (#9). Height adjustment may be required later.

(optional) Upper Chest Pad

The Upper Chest Pad easily attaches to the Table Top to give you added support. A two-inch pad accompanies the Upper Chest Pad. The Pad is placed on the Upper Chest Pad for added comfort and security.



PARTS LIST

<u>REF#</u>	<u>PART#</u>	<u>QTY.</u>	<u>DESCRIPTION</u>
1	2016	1	Lower Frame
2	2017	1	Mid-Support
3	2018	1	Chest Pad Holder
4		1	Chest Pad

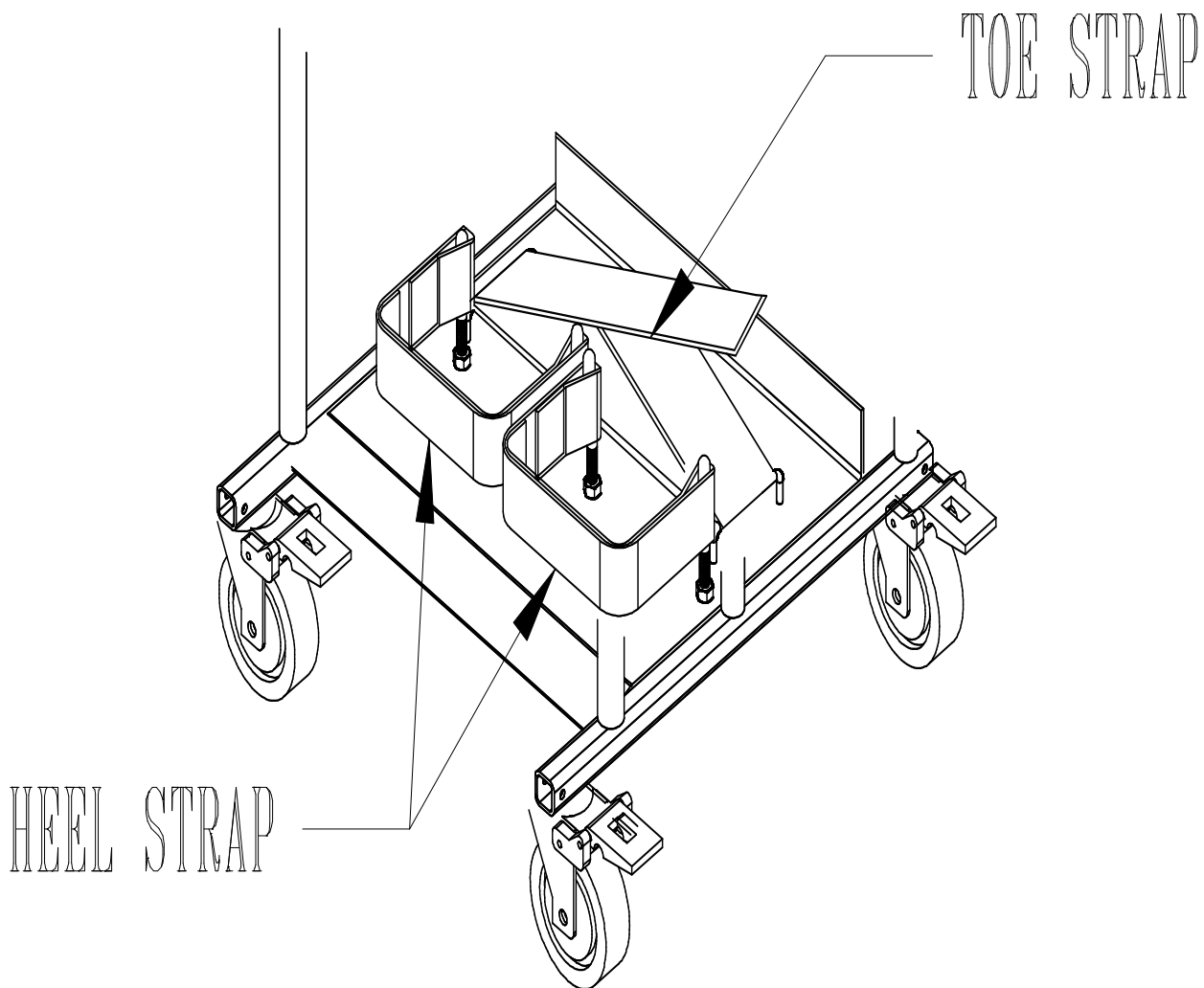
Assembly Instructions

1. Mount the lower frame (1) to the bottom of the table frame and tighten the bolts.
2. Slide the mid support (2) into the lower frame (1) and tighten into place with the adjustment knobs.
3. Slide the chest pad holder (3) into the mid support (2) and tighten with the adjustment knobs.
4. Attach the Chest Pad (4) to the Chest Pad Holder (3).

OPERATING INSTRUCTIONS

Loosen the foot straps on the floor of the Stand Aid JR and place your feet on the floor. The strap that fits over the top of your instep should be snug but not tight. The heel straps should fit behind the heel to prevent the foot from slipping. Adjust the height of the kneepad so your knees are centered in the pad. The Knee pad may be adjusted up or down by loosening the four vertical knee pad adjustment knobs (refer to page #5). To adjusted the knee pad forward or back use the two horizontal adjustment knobs (refer to page #5).

IMPORTANT: Exercise caution for the first several times you use your Stand Aid JR to assure not only your safety, but your comfort as well. (refer to image below for visual reference of heel and toe straps.)



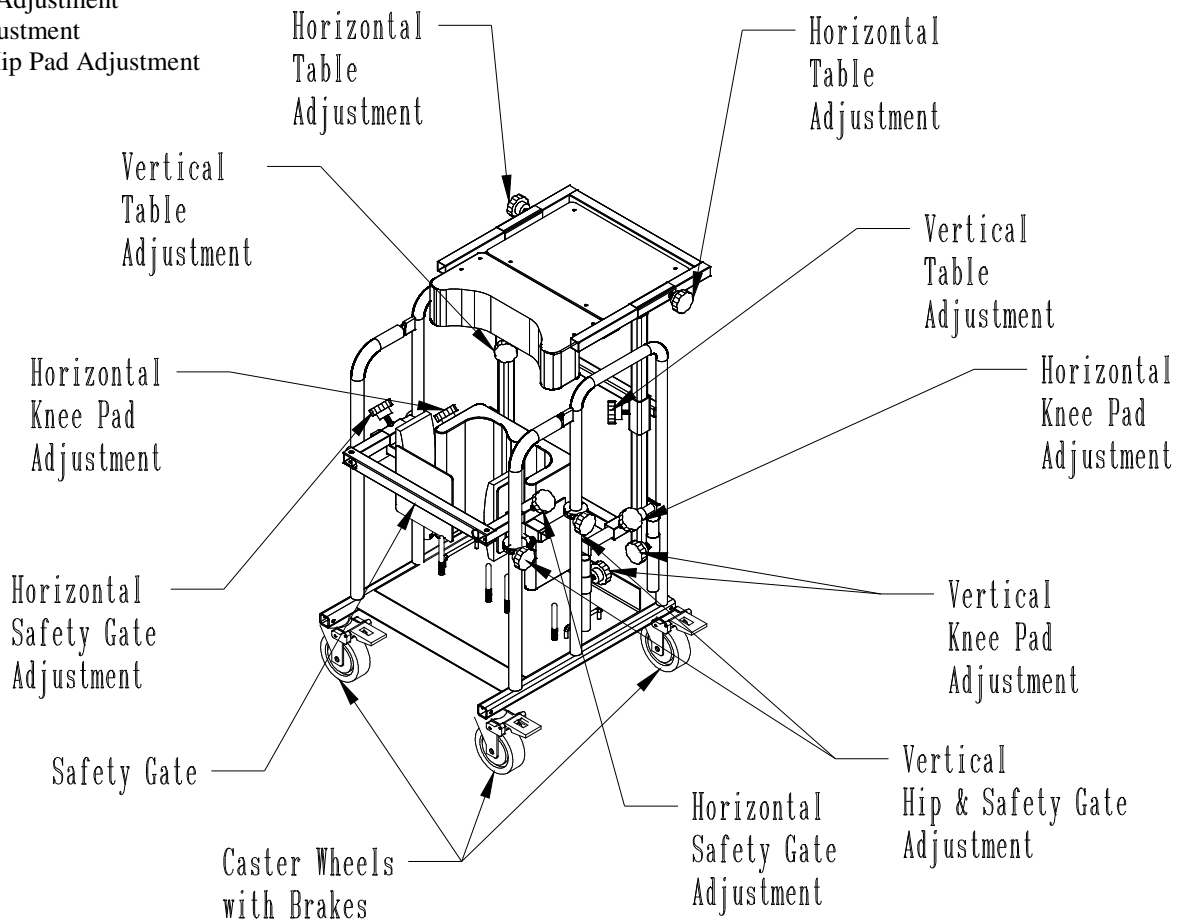
Once you have entered the Stand-Aid Jr. and are in an upright position, close the safety gate behind you and adjust the unit to the correct height by loosening the four knobs for the Vertical Safety gate/Hip pad adjustment. Raise or lower the vertical safety gate/hip pad of the Stand Aid JR until the safety gate is supporting the lower half of the buttocks. Retighten all knobs. Also adjust the Safety Gate Pad forward moving the pad securely to the buttocks, by using the horizontal Safety Gate pad adjustment knobs. This adjustment is important to ensure that your buttock does not slide under the safety gate. Use the safety gate pad to support your buttocks against the safety gate. The Velcro strips will keep the pads in place.

The table height adjustment is important for upper body positioning. The chest pad should be positioned near the bottom of the sternum, the point on your rib cage where your bottom two ribs meet. In order to maintain correct posture, the table may be adjusted in or out in order to align the upper and lower portions of your body. The safety belt hooks to the rings located under each side of the table frame just ahead of the chest pad.

Now that most adjustments have been made, check and retighten all knobs to ensure that your Stand Aid JR will remain in the proper position.

Adjustment Knobs:

- 2 for the Horizontal Table
- 4 for Vertical Knee Pad Adjustment
- 2 for Horizontal Knee Pad Adjustment
- 2 for the Safety Gate Adjustment
- 2 for the Hip Pad Adjustment
- 4 for Safety Gate & Hip Pad Adjustment



STAND AID OF IOWA, INC.

PART ORDER POLICIES

SHIPPING:

ALL PARTS WILL BE SHIPPED ACCORDING TO THE CUSTOMERS SPECIFICATIONS; UPS, GROUND, AIR, FEDERAL EXPRESS OR OTHER MEANS. THE CUSTOMER WILL BE BILLED ACCORDINGLY.

PAYMENT:

ALL PARTS WILL BE SHIPPED C.O.D. THEY MAY BE PAID WITH ANY MAJOR CREDIT CARD OR THEY CAN BE PRE-PAID. THIS WILL PERTAIN TO ANY ORDER UNDER \$300.00 UNLESS OTHER ARRANGEMENTS HAVE BEEN MADE.

RETURN GOODS:

PLEASE CALL STAND AID OF IOWA SERVICE DEPARTMENT FOR A RETURN AUTHORIZATION NUMBER (RA#). WARRANTY PARTS AND EXCHANGE PARTS CAN BE RETURNED AT NO CHARGE. ALL OTHER PARTS WILL HAVE A 20% RESTOCKING FEE WITHIN THE FIRST 30 DAYS AFTER THE PURCHASE. AFTER 30 DAYS A 40% RESTOCKING CHARGE WILL BE THE RESPONSIBILITY OF THE CUSTOMER. ANY PART CUSTOM MADE TO THE CUSTOMERS SPECIFICATIONS WILL HAVE A 60% RESTOCKING FEE IF RETURNED WITHIN THE FIRST 30 DAYS. AFTER 30 DAYS ALL CUSTOMIZED PARTS CANNOT BE RETURNED. THE CUSTOMER WILL BE RESPONSIBLE FOR ANY SHIPPING COST BACK TO STAND AID WITH THE EXCEPTION OF WARRANTY AND EXCHANGED PARTS.

STAND AID SHIPPING AND SERVICE DEPT. 1-800-831-8580

STAND AID OF IOWA, INC.

PO BOX 386

SHELDON, IA 51201

1-800-831-8580

1-712-324-2153 (In Iowa)

FAX: 712-324-5210