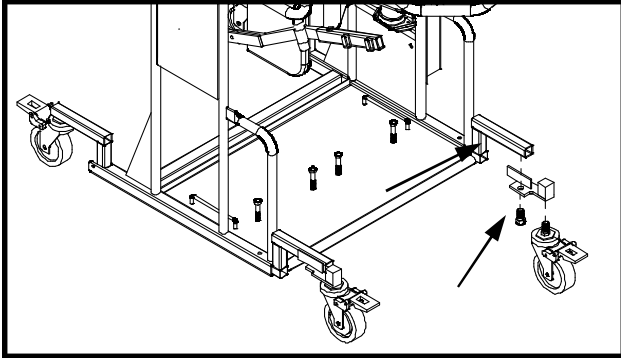
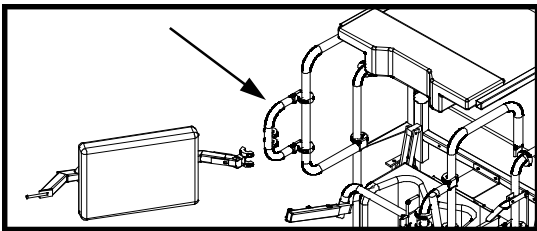


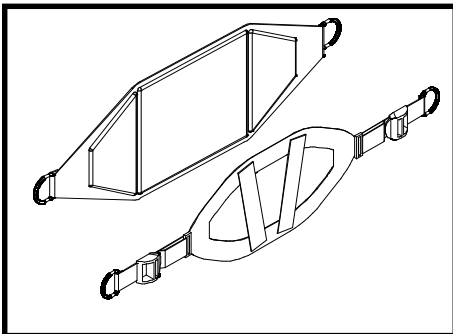
# STAND AID OPTIONS



**Caster Brackets:** The Caster Bracket option is designed to give another 1” of width between the wheel kit option, simply by placing the caster wheels on the outside of the caster wheel brackets. Retail price \$40.00

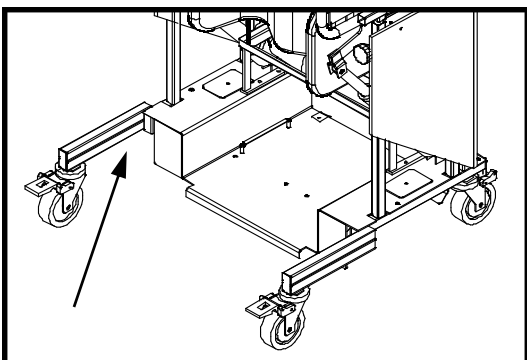


**Safety Gate Extension:** The Safety Gate Extension option is designed to move the Safety Gate back away from the user. This option is mainly used when the Safety Gate can not be closed or when the Safety Gate is closed and one of the pads can not be placed behind the user. Retail price \$40.00

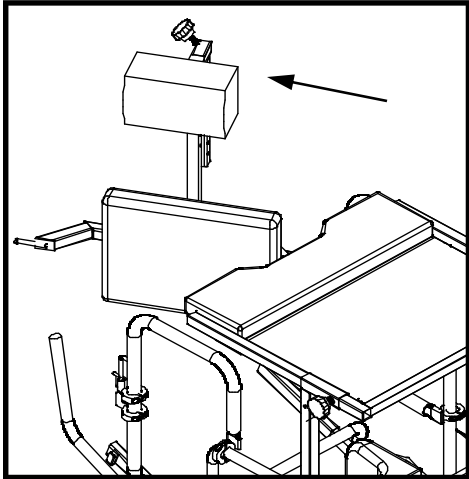


**Solid and Adjustable Slings:** The Solid sling is designed for user that have trouble with the standard sling or do not feel comfortable with the open sling. Retail price \$38.00

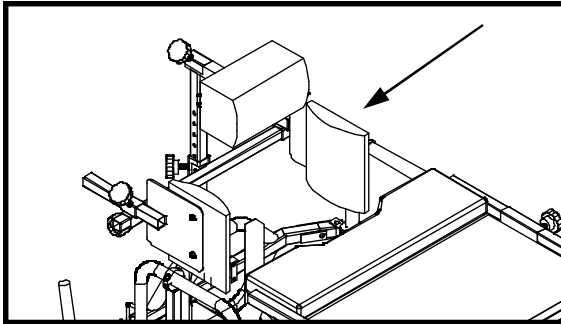
The Adjustable Sling option is designed for multiple users of the standing frames. Mainly used in facilities. Retail price \$80.00



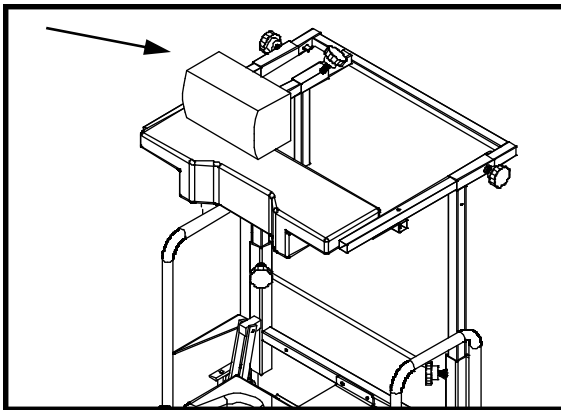
**Extra Wide Lower Side:** The Extra Wide Lower Side option is designed to widen the frame base of the Stand Aid to accommodate wider wheelchairs, scooters, and front wheel drive electric wheelchairs. Retail price \$272.00



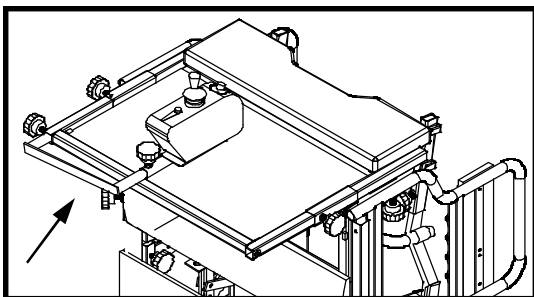
**Back Support:** The Back Support option will add support to the upper back by strapping the user to the pad and helps hold the user into place. The option will move up and down, also in and out for proper adjustment. The Back Support does require the purchase of the Safety Gate option.  
Retail price \$100.00



**Lateral Support:** The Lateral Support option is designed to help hold the user into place from left to right if there is lack of trunk control. This option can be slide up and down, in and out both forward and side to side.  
Retail price \$130.00



**Upper Chest Support:** The Upper Chest Support is designed to help a user that has a tendencies to fall forward over the table chest pad. This option will adjust up and down, also in and out.  
Retail price \$100.00



**Extra Long Joystick Mount:** The Extra Long Joystick Mount option is designed to place the joystick of the Stand Aid 1503 model closer to the middle of the table making it easier to reach for some users.  
Retail price \$25.00